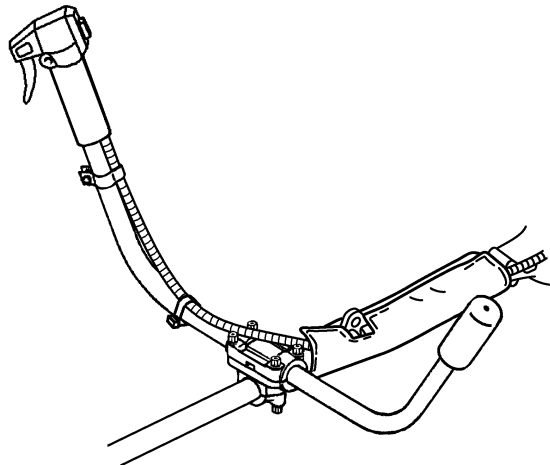




# INSTALLATION MANUAL

## BRUSHCUTTERS

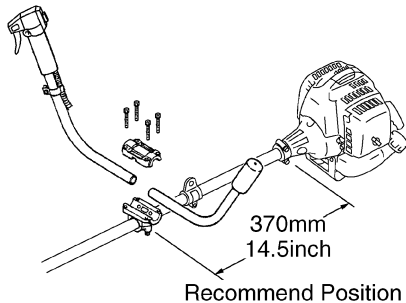
### W-HANDLE KIT



# Manual For W-HANDLE Kit

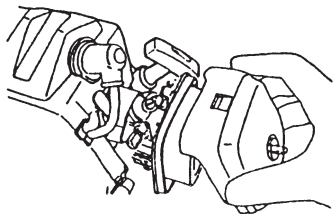
**1**

Mount the handle to the shaft tube and clamp it at your best operating position.

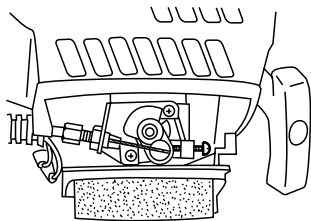


## **2** CONNECTING THROTTLE WIRE TO THE CARBURETOR

1. Remove the air cleaner cover.

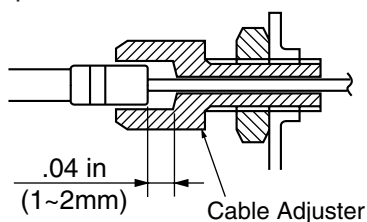


2. Connect the end of the throttle wire to the joint on the top of the carburetor.



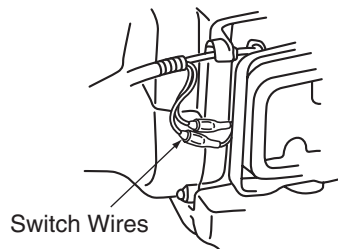
## ADJUSTING THROTTLE CABLE

• The normal play is 1 or 2mm when measured at the carburetor side end. Readjust with the cable adjuster as required.



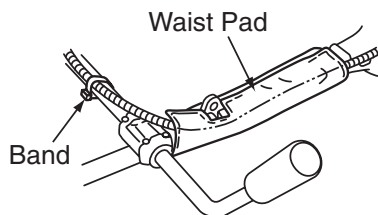
## **3** CONNECTING SWITCH WIRES

- Connect the switch wires between the engine and the main unit. Pair the wires of the same color

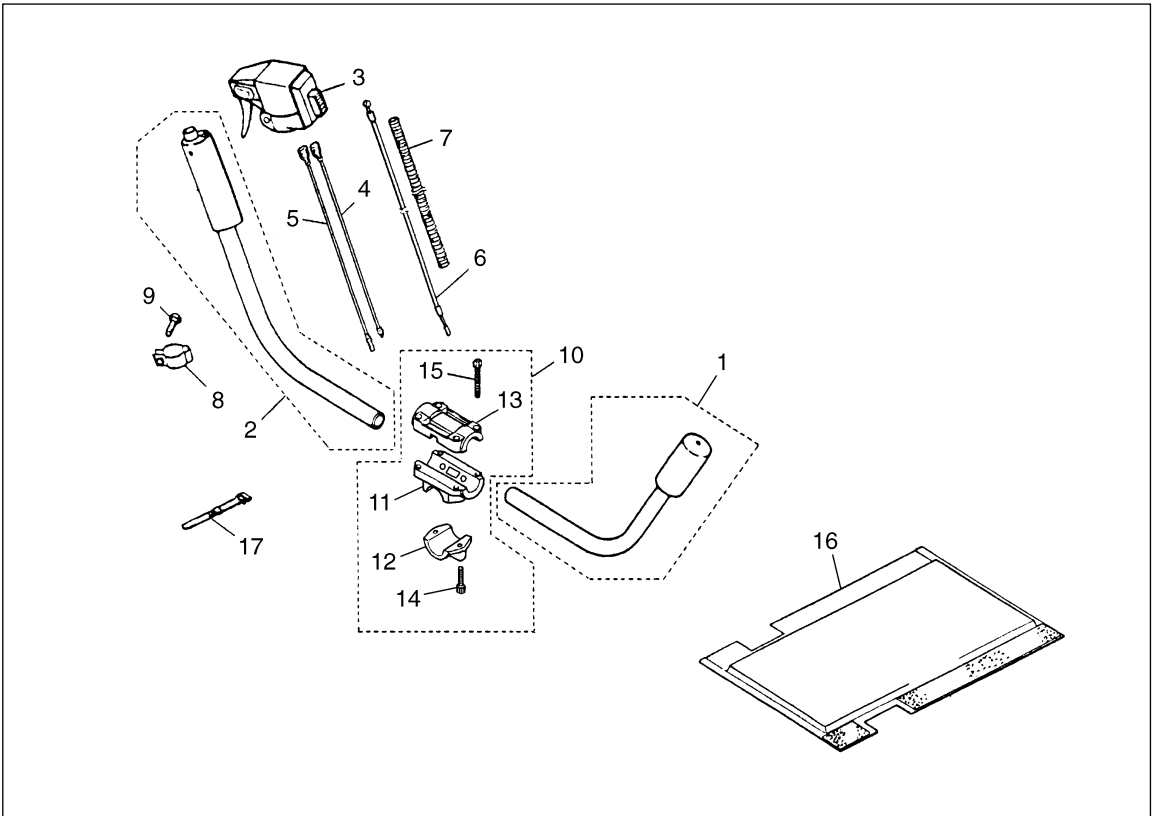


## **4** PUTTING ON WAIST PAD

- Wrap the waist pad around the shaft tube and the throttle wire.



# Parts List



Key#	Description	Part Number	Q'ty	Key#	Description	Part Number	Q'ty
1	HANDLE-L-COMP	T3040-14200	1				
2	HANDLE-R-COMP	T3002-95400	1				
3	LEVER-ASSY	6234-14601	1				
4	CORD(A) BLACK	T3002-95710	1				
5	CORD(B) RED	T3002-95720	1				
6	CABLE-COMP	T3040-83100	1				
7	TUBE	5512-73220	1				
8	CLAMP	3260-14251	1				
9	SCREW	0260-00516	1				
10	BRACKET-ASSY	3583-14101	1				
11	• BRACKET	3583-14111	1				
12	• CAP-L	3583-14121	1				
13	• CAP-U	3257-14192	1				
14	• BOLT	01252-30522	2				
15	• BOLT	01252-30525	4				
16	PROTECTOR	848-B81-38A1	1				
17	BAND	3540-93120	1				



ZENOAH AMERICA, INC.  
1100 Laval Blvd. Suite 110  
Lawrenceville, Georgia 30043